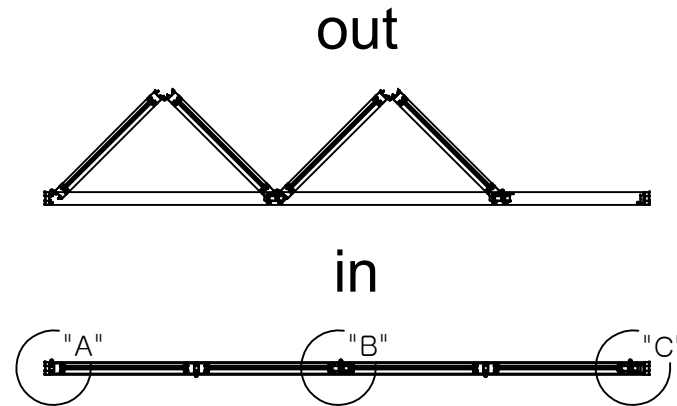
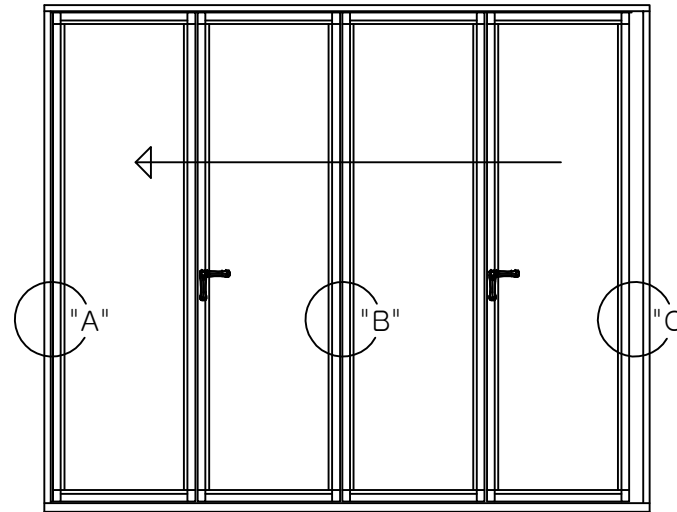
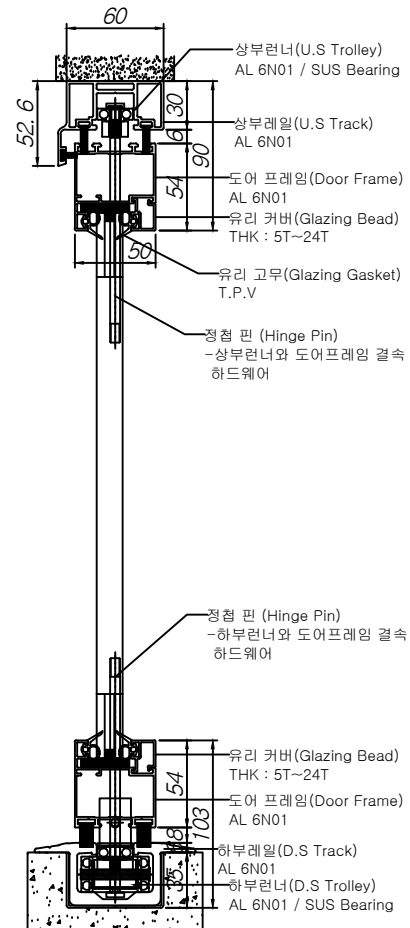


1 SCALE none 단면도



2 SCALE none 단면도

3 SCALE none 입면도 평면도

PROJECT TITLE

DRAWING TITLE

D.W.G BY

CHECKED BY

DATE

SCALE

none

DRAWING NO.

SHEET NO.